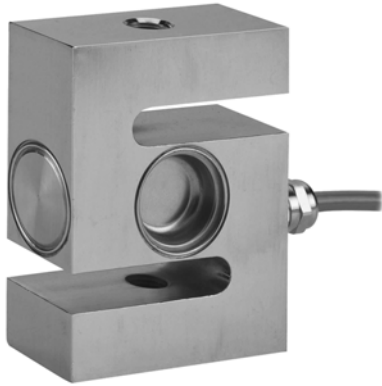


S-Type Stainless Steel Load Cell



FEATURES

- Capacity range: 500 to 5000kg
- Stainless Steel construction
- sealed by welding to IP68
- S-Type design for use in tension and compression
- OIML approved to 3000d (500-5000kg)
- NTEP approved to 5000d (500-2000kg)
- Choice of mounting threads Metric or Unified systems
- Six Wire Cable (sense circuit)

OPTIONAL FEATURES

- EEx ia IIC T6-ATEX hazardous area approval
- Class I, II, III Division 1 – FM hazardous area approval

DESCRIPTION

Model 620 is a Stainless Steel S-Type Load Cell. Its Welded Sealing combined with high accuracy, make this Load Cell ideally suited for a wide range of applications of Process Weighing and Force Measurements.

Approvals include OIML C3 (3000d); NTEP 3000d single and NTEP 5000d Multiple.

Also available are versions approved for hazardous areas – ATEX II 1 GD EEx ia T6

for Europe and FM I, II, III Division 1 for the USA.

The six-wire cable includes two sense wires that compensate for changes in lead resistance due to temperature changes and cable extension.

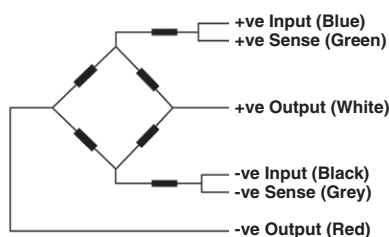
Model 620 offers a choice of bolt threads in Metric or Unified systems – see table below.

APPLICATIONS

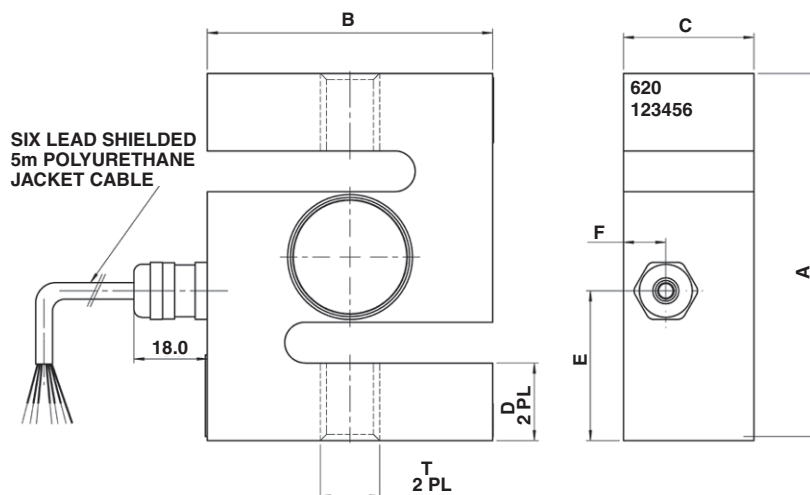
- Hopper (Tank Weighing)
- Hybrid Scales
- Belt Weighing
- Lever arm conversions
- Material testing machines
- Vibrations filling equipment
- Dynamometers

OUTLINE DIMENSIONS in mm

Wiring Schematic Diagram



| Thread Type "T" By Capacity | | |
|-----------------------------|-----------|------------|
| Capacity | Metric | Unified |
| 500 kg | M12x1.75 | 1/2-20 UNF |
| 1000 kg | M16 x 2.0 | 1/2-20 UNF |
| 2000 kg | M16 x 2.0 | 3/4-16 UNF |
| 5000 kg | M24 x 2.0 | 1 - 12 UNF |



Optional Rod End Bearings for use with all Vishay Transducers S-Type load cells are available - consult VT Sales office

| Capacity | A | B | C | D | E | F |
|--------------------|-----|-----|----|----|------|------|
| 500, 1000, 2000 kg | 90 | 70 | 32 | 19 | 36.6 | 10.4 |
| 5000 kg | 120 | 100 | 45 | 26 | 60 | 13.8 |

SPECIFICATIONS

| PARAMETER | VALUE | | | | UNIT |
|-----------------------------------|------------------------|--------------|--------|-----------|----------------------------|
| Rated capacity-R.C. (E_{max}) | 500, 1000, 2000, 5000* | | | | kg |
| NTEP/OIML Accuracy class | NTEP | Non-Approved | C2/50 | C3/50 | |
| Maximum no. of intervals (n) | class III L | 1000 | 2000* | OIML 3000 | |
| $Y = E_{max}/V_{min}$ | 5000 | 2000 | 4000 | 6000 | |
| Rated output-R.O. | 2.0 | | | | mV/V |
| Rated output tolerance | 0.0035 | | | | ±mV/V |
| Zero balance | 0.04 | | | | ±mV/V |
| Total Error (per OIML R60) | 0.0200 | 0.0500 | 0.0300 | 0.0200 | ±% of R.O. |
| Zero Return, 30 min. | 0.0250 | 0.0500 | 0.0250 | 0.0170 | ±% of applied load |
| Temperature effect on zero | (0.0010) | 0.0070 | 0.0020 | 0.0023 | ±% of R.O./°C (°F) |
| Temperature effect on output | (0.0008) | 0.0400 | 0.0014 | 0.0012 | ±% of applied load/°C (°F) |
| Temperature range, compensated | -10 to +40 | | | | °C |
| Temperature range, safe | -30 to +90 | | | | °C |
| Maximum safe static overload | 150 | | | | % of R.C. |
| Excitation, recommended | 10 | | | | Vdc or Vac rms |
| Excitation, maximum | 15 | | | | Vdc or Vac rms |
| Input impedance | 400±20 | | | | Ohms |
| Output impedance | 350±3 | | | | Ohms |
| Insulation resistance | >5000 | | | | Mega-Ohms |
| Construction | Stainless steel | | | | |
| Environmental protection | IP68 | | | | |

* 5000kg capacity is not approved by NTEP

Disclaimer

All product specifications and data are subject to change without notice.

Vishay Precision Group, Inc., its affiliates, agents, and employees, and all persons acting on its or their behalf (collectively, "Vishay Precision Group"), disclaim any and all liability for any errors, inaccuracies or incompleteness contained herein or in any other disclosure relating to any product.

Vishay Precision Group disclaims any and all liability arising out of the use or application of any product described herein or of any information provided herein to the maximum extent permitted by law. The product specifications do not expand or otherwise modify Vishay Precision Group's terms and conditions of purchase, including but not limited to the warranty expressed therein, which apply to these products.

No license, express or implied, by estoppel or otherwise, to any intellectual property rights is granted by this document or by any conduct of Vishay Precision Group.

The products shown herein are not designed for use in medical, life-saving, or life-sustaining applications unless otherwise expressly indicated. Customers using or selling Vishay Precision Group products not expressly indicated for use in such applications do so entirely at their own risk and agree to fully indemnify Vishay Precision Group for any damages arising or resulting from such use or sale. Please contact authorized Vishay Precision Group personnel to obtain written terms and conditions regarding products designed for such applications.

Product names and markings noted herein may be trademarks of their respective owners.